

PLEASE CHECK WWW.MOLEX.COM FOR LATEST PART INFORMATION

Part Number: [0587830011](#)
Status: **Active**
Description: HMC™ Rectangular Industrial Receptacle Shell Assembly, Single Module Type, For Small Plug Cover, For Panel Mount and Wire-to-Wire, 12 and 40 Circuits

Documents:

[Drawing \(PDF\)](#) [RoHS Certificate of Compliance \(PDF\)](#)
[Product Specification PS-54478-001 \(PDF\)](#)

Agency Certification

CSA LR19980
 UL E29179

General

Product Family I/O Connectors
 Series [58783](#)
 Application Panel-Mount, Wire-to-Wire
 Component Type Panel-Mount Bracket
 Product Name HMC™
 Type N/A

Physical

Boot Color N/A
 Circuits (Loaded) 40
 Circuits (maximum) 40
 Durability (mating cycles max) 50
 Flammability 94V-0
 Gender Receptacle
 Lock to Mating Part Yes
 Material - Plating Mating n/a
 Number of Rows 4
 Orientation Vertical
 PCB Locator No
 Packaging Type Bag
 Panel Mount Screws
 Pitch - Mating Interface (in) 0.177 In
 Pitch - Mating Interface (mm) 4.50 mm
 Pitch - Term. Interface (in) 0.177 In
 Pitch - Term. Interface (mm) 4.50 mm
 Polarized to Mating Part Yes
 Ports 1
 Surface Mount Compatible (SMC) No
 Temperature Range - Operating -40°C to +125°C
 Termination Interface: Style N/A
 Waterproof / Dustproof Yes
 Waterproof / Dustproof Type IP65

Electrical

Current - Maximum per Contact 10A
 Shield Type Full Shield
 Shielded Yes
 Voltage - Maximum 300V DC (RMS)

Material Info

Reference - Drawing Numbers

Product Specification PS-54478-001

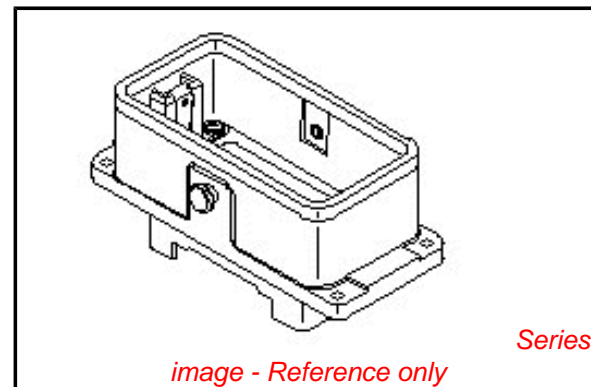


image - Reference only

EU RoHS **China RoHS**

Compliance Status

Not Reviewed

REACH SVHC

Not Reviewed

Halogen-Free

Status

Not Reviewed

Need more information on product environmental compliance?

Email productcompliance@molex.com
 For a multiple part number RoHS Certificate of Compliance, [click here](#)

Please visit the [Contact Us](#) section for any non-product compliance questions.

Search Parts in this Series

[58783Series](#)

Mates With

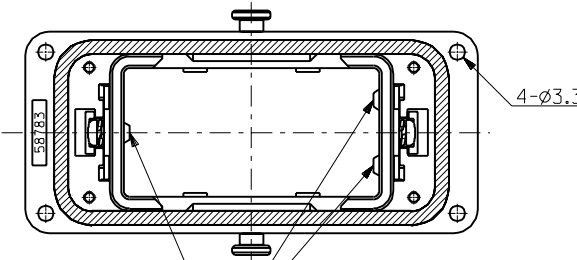
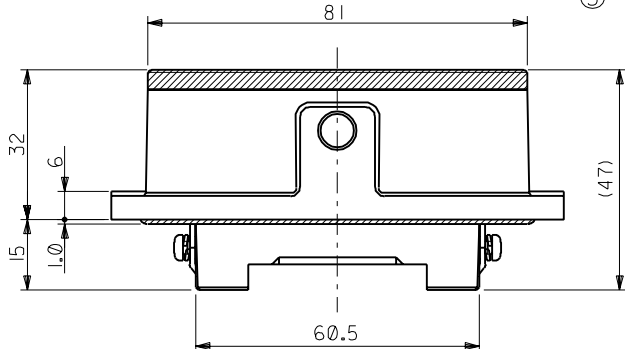
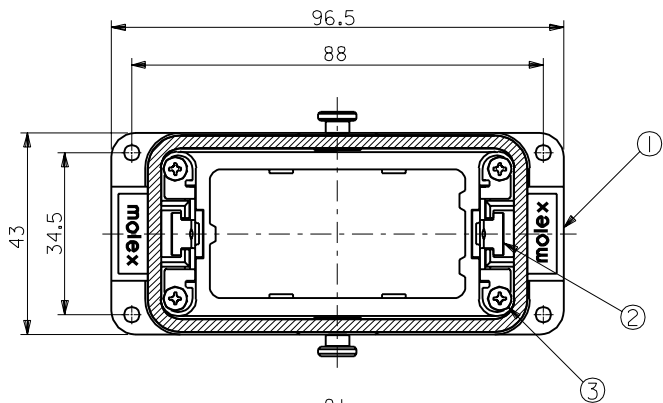
[58782-0011](#) Plug Shell Assembly

Use With

[58474](#) Wire-to-Wire Covers, [58550](#) End Bell Cap, [58455](#) End Bell Cap, [55347](#) Housing, [54478](#) Housing, [54296](#) TerminalLink:54297 Terminal, [55124](#) Terminal,

This document was generated on 04/05/2010

PLEASE CHECK WWW.MOLEX.COM FOR LATEST PART INFORMATION

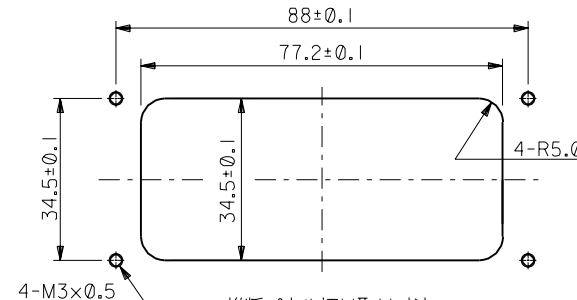


ハウジング挿入方向キー
POLARIZATIONS KEY FOR HOUSING

M+

NOTES

- 適用ハウジングアッセンブリ
APPLICABLE HOUSING ASS'Y
55347-40*5 (40 CKTS. MAIL HS'G ASS'Y)
55348-12*5 (12 CKTS. MAIL HS'G ASS'Y)
54478-40*5 (40 CKTS. FEMALE HS'G ASS'Y)
54479-12*5 (12 CKTS. FEMALE HS'G ASS'Y)
- 推奨ねじ締め付けトルク: 5~6kgf・cm
RECOMMENDED SCREW TIGHTENING TORQUE: 5~6kgf・cm
- 適用グラウンド圧着端子
APPLICABLE CRIMP TERMINAL FOR GROUND
活線と同等かそれ以上の電線サイズに適用した圧着端子を使用
RING TERMINAL FOR POWER WIRE SIZE OR BIGGER ONE.



推奨パネル切り取り寸法
RECOMMENDED PANEL OPENING

⑧	ばね座金組込み プライメーねじ (M3 X 5) FREE DRIVE HEAD SCREWS WITH SPRING WASHER(M3 5)	鋼, ニッケルメッキ STEEL, NI PLATING	2	58783-0011
⑦	リセプタクル ラバー B RECEPTACLE RUBBER B	合成ゴム SYNTHETIC RUBBER	1	
⑥	スリーブ SLEEVE	ステンレス STAINLESS STEEL	2	
⑤	リセプタクル ロックピン RECEPTACLE LOCKING PIN	ステンレス STAINLESS STEEL	2	
④	リセプタクル ラバー A RECEPTACLE RUBBER A	合成ゴム SYNTHETIC RUBBER	1	
③	固定ネジ (M2.5 X 4) SCREW (M2.5 X 4)	鋼, ニッケルメッキ STEEL, NI PLATING	4	
②	リセプタクル グラウンド ターミナル RECEPTACLE GROUND TERMINAL	黄銅, ニッケルメッキ BRASS, NI PLATING	2	
①	リセプタクル シェル RECEPTACLE SHELL	アルミニウム合金 ALUMINIUM ALLOY	1	
部番 NO.	部品名 PARTS NAME	材質 MATERIAL	個数 QUAN.	製品番号 ENG. NO.

角度 ANGLE	±3°				
30 以上 OVER	+0.3				
10 以上 30 未満 OVER UNDER	+0.25				
10 未満 UNDER	+0.2				
一般公差 GENERAL TOLERANCES	記号 LTR	変更内容 REVISION RECORD	DR.	日付 DATE	APP'D BY DATE
	◇×◇ RELEASED	(J090683)	J.M.	98/11/06	Y.1

材料 MATERIAL	表参照 SEE TABLE
仕上げ FINISH	—
適用電線範囲 WIRE RANGE	—
被覆外径 INS. RANGE	—
DRAWN BY J. Nagano	CHK'D BY J. Ota
APP'D BY Y. Ota	尺度 SCALE 1-1

MOLEX-JAPAN CO.,LTD. 日本モレックス株式会社	
REVISE ONLY ON CAD SYSTEM	
TITLE 名称 ROBOT CONN. REC. SHELL ASS'Y (SMALL)	
DWG. NO.	(SHEET 1 OF 3) REV
SD-58783-0011	0

DWG. NO. SD-58783-0011

E

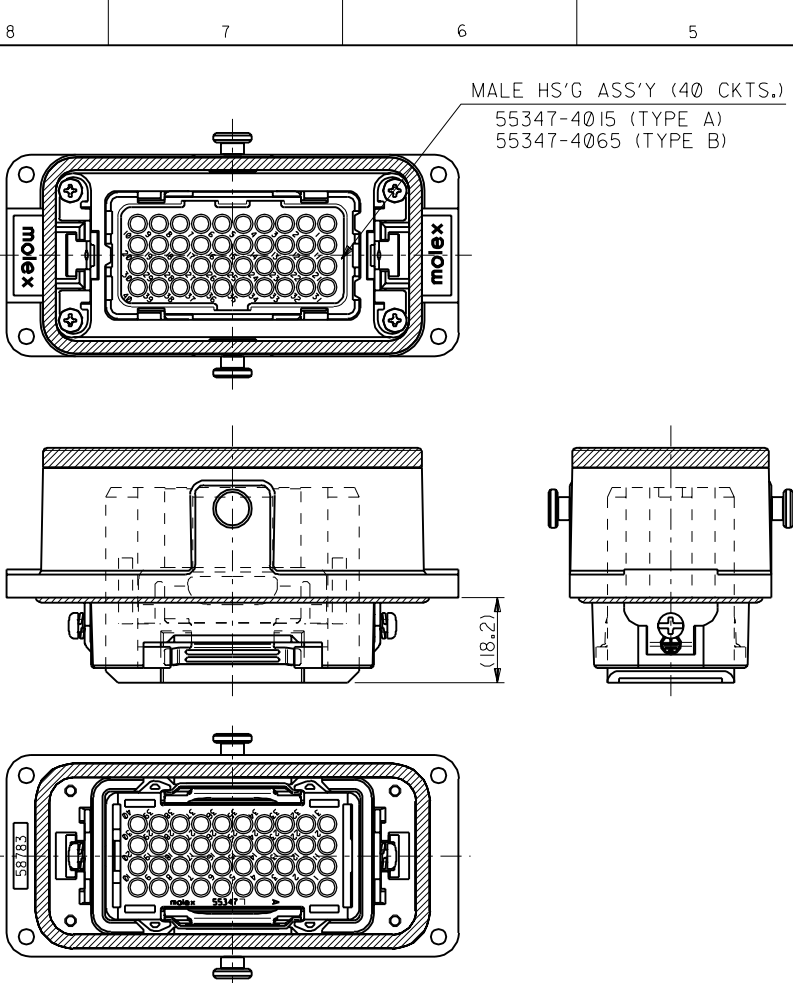
D

C

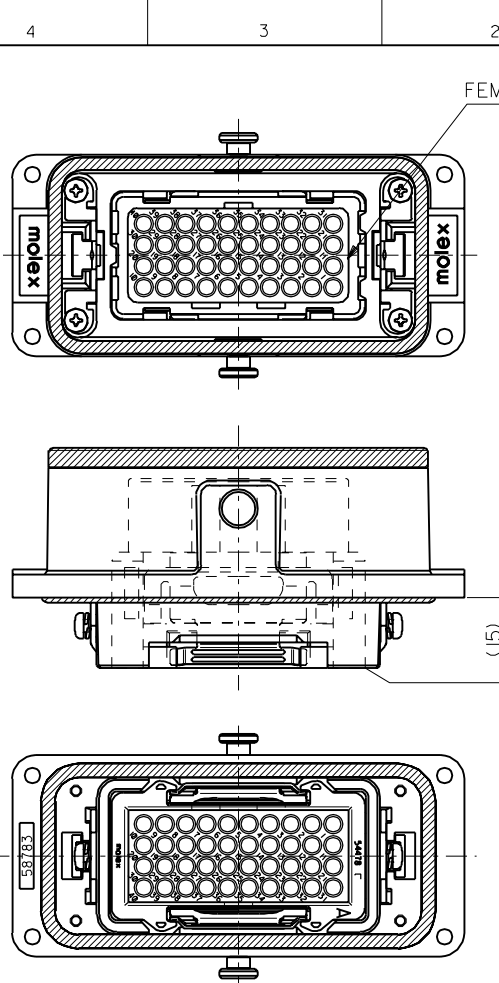
B

A

DIMENSIONS IN METRIC DO NOT SCALE DRAWING



メイルハウジングアッセンブリ装着状態図
FIGURE OF MALE HOUSING ASS'Y WHEN ASSEMBLED



フィメイルハウジングアッセンブリ装着状態図
FIGURE OF FEMALE HOUSING ASS'Y WHEN ASSEMBLED

角度 ANGLE	+3°
30 以上 OVER	+0.3
10 以上 OVER 30 未満 UNDER	+0.25
10 未満 UNDER	+0.2
一般公差 GENERAL TOLERANCES	記号 LTR 変更内容 REVISION RECORD

材料 MATERIAL	SEE SHEET 1 OF 3
仕上げ FINISH	— #
適用電線範囲 WIRE RANGE	— #
被覆外径 INS. RANGE	— #
DRAWN BY	CHK'D BY
DR. CHR. DATE	APP'D BY
REVISION RECORD	SCALE

THIS DRAWING CONTAINS INFORMATION THAT IS PROPRIETARY TO MOLEX(JAPAN) AND SHOULD NOT BE DISCLOSED TO ANY OTHER PARTY WITHOUT THE WRITTEN PERMISSION OF MOLEX(JAPAN).
本図面は日本モレックス(株)の所有する情報を含むもので 当社の許可なく複製を禁じます。

DWG. NO. SD-58783-0011

E

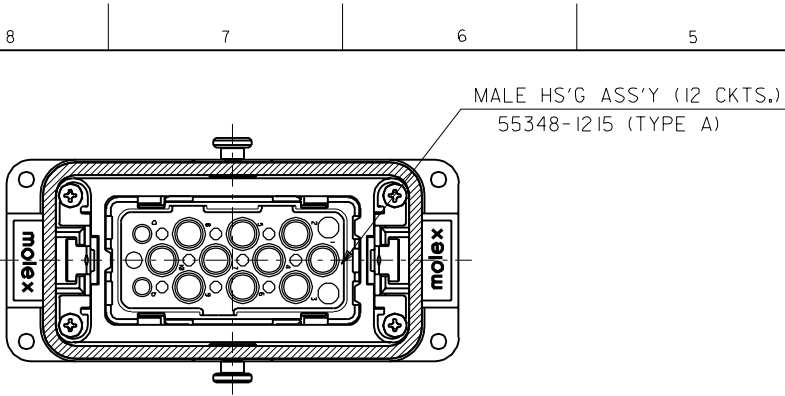
D

C

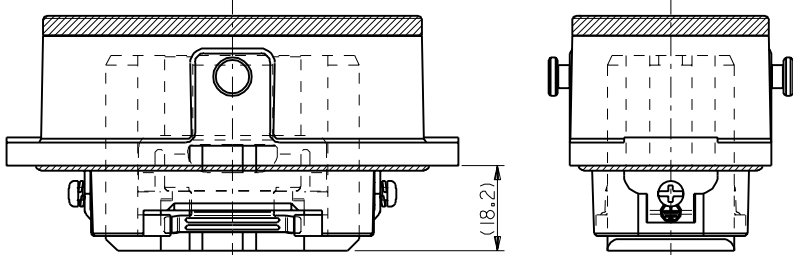
B

A

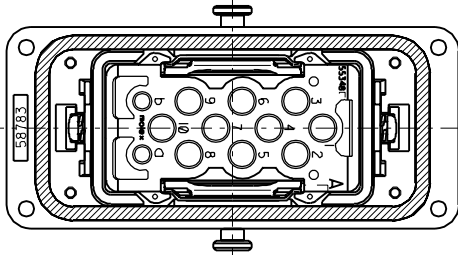
DIMENSIONS IN METRIC DO NOT SCALE DRAWING



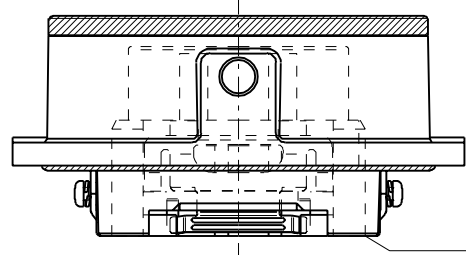
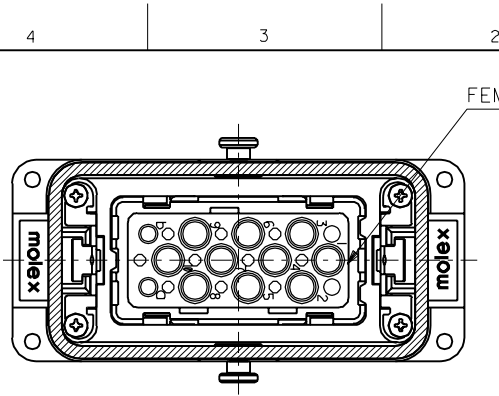
MALE HS'G ASS'Y (12 CKTS.)
55348-1215 (TYPE A)



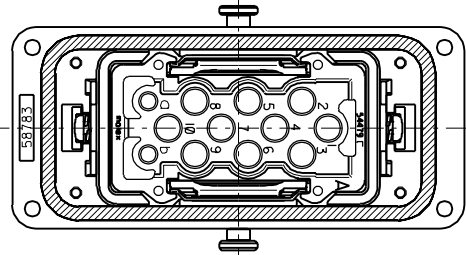
(18.2)



メイルハウジングアッセンブリ装着状態図
FIGURE OF MALE HOUSING ASS'Y WHEN ASSEMBLED



(15)



フィメイルハウジングアッセンブリ装着状態図
FIGURE OF FEMALE HOUSING ASS'Y WHEN ASSEMBLED

角度 ANGLE	+3°
30 以上 OVER	+0.3
10 以上 OVER 30 未満 UNDER	+0.25
10 未満 UNDER	+0.2
一般公差 GENERAL TOLERANCES	記号 LTR 変更内容 REVISION RECORD

材料 MATERIAL	SEE SHEET 1 OF 3
仕上げ FINISH	— #
適用電線範囲 WIRE RANGE	— #
被覆外径 INS. RANGE	— #
DRAWN BY	CHK'D BY
DR. CHR.	DATE
APP'D BY	SCALE

THIS DRAWING CONTAINS INFORMATION THAT IS PROPRIETARY TO MOLEX(JAPAN) AND SHOULD NOT BE DISCLOSED TO ANY OTHER PARTY WITHOUT THE WRITTEN PERMISSION OF MOLEX(JAPAN).
本図面は日本モレックス(株)の所有する情報を含むもので 当社の許可なく複製を禁じます。